

## AUTOMATIC GAS VALVES Fast Opening / Fast Closing 1/2", 3/4" and 1" – Pmax 360 mbar - 6 bar



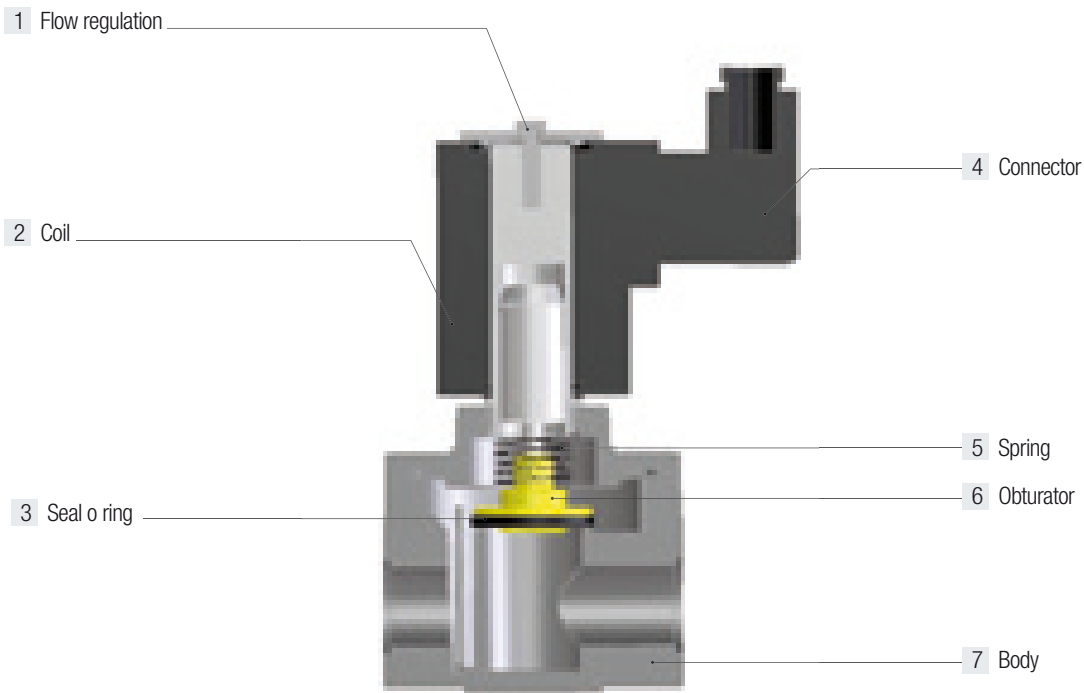
Code	Description	Dimension	Pmax
AV015FO	Gas valve fast opening	1/2"	360 mbar
AV020FO	Gas valve fast opening	3/4"	360 mbar
AV025FO	Gas valve fast opening	1"	360 mbar
AV015FO-FR	Gas valve fast opening Flow regulation	1/2"	360 mbar
AV020FO-FR	Gas valve fast opening Flow regulation	3/4"	360 mbar
AV025FO-FR	Gas valve fast opening Flow regulation	1"	360 mbar
AV015FO-6B	Gas valve fast opening	1/2"	6 bar
AV020FO-6B	Gas valve fast opening	3/4"	6 bar
AV025FO-6B	Gas valve fast opening	1"	6 bar
AV015FO-FO-FR-6B	Gas valve fast opening Flow regulation	1/2"	6 bar
AV020FO-FO-FR-6B	Gas valve fast opening Flow regulation	3/4"	6 bar
AV025FO-FO-FR-6B	Gas valve fast opening Flow regulation	1"	6 bar

### TECHNICAL FEATURES

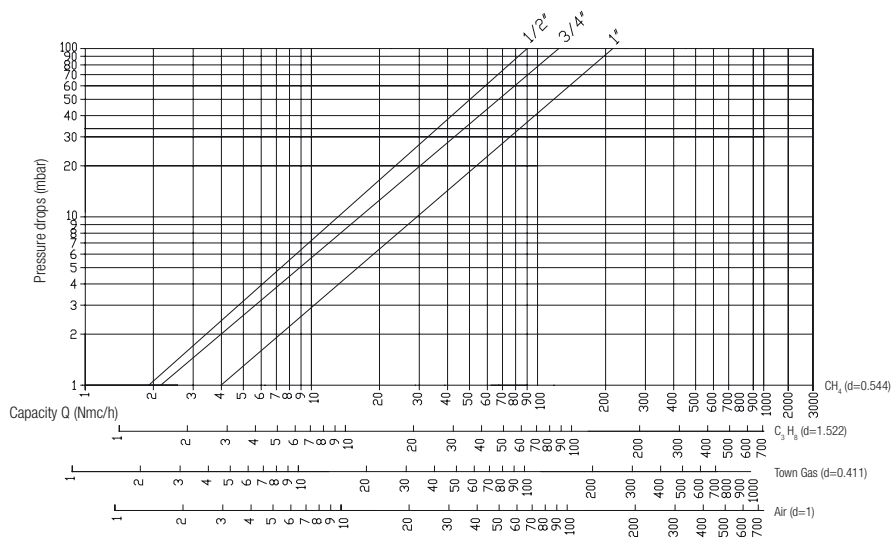
<b>Pmax</b>	360 mbar - 6 bar
<b>Inlet connection</b>	Thread gas 1/2" 3/4" and 1" - ISO 228
<b>Outlet</b>	Thread gas 1/2" 3/4" and 1" - ISO 228
<b>Opening time</b>	<1 second
<b>Closing time</b>	<1 second
<b>Max number of operations</b>	20 per minute
<b>Incorporated AISI 303 steel mesh filter</b>	
<b>Supply voltage</b>	230V (-15%+10%) 50-60Hz 110V (-15%+10%) 50-60Hz 24Vdc (-15%+10%) 50-60Hz
<b>Power</b>	15 VA - 24 VA for 6 bar version Coils to class F copper wire class H
<b>Use</b>	Non - aggressive gases - Family 1 - 2 - 3 and air
<b>Test point</b>	Screw 1/4" NPT
<b>CPI</b>	On request
<b>Working Temperature</b>	- 20 °C - 60 °C
<b>Approval</b>	EN161
<b>Protection degree</b>	IP65

#### Materials:

<b>Complete Body</b>	Die - Cast Aluminium Gd - AISI12Cu - EN AB 46100
----------------------	--



### FLOW CHART



DIMENSIONS (mm) and WEIGHT (kgs)			
Dimension	A	B	C
1/2"	148	64.5	72
3/4"	148	64.5	72
1"	148	64.5	72

