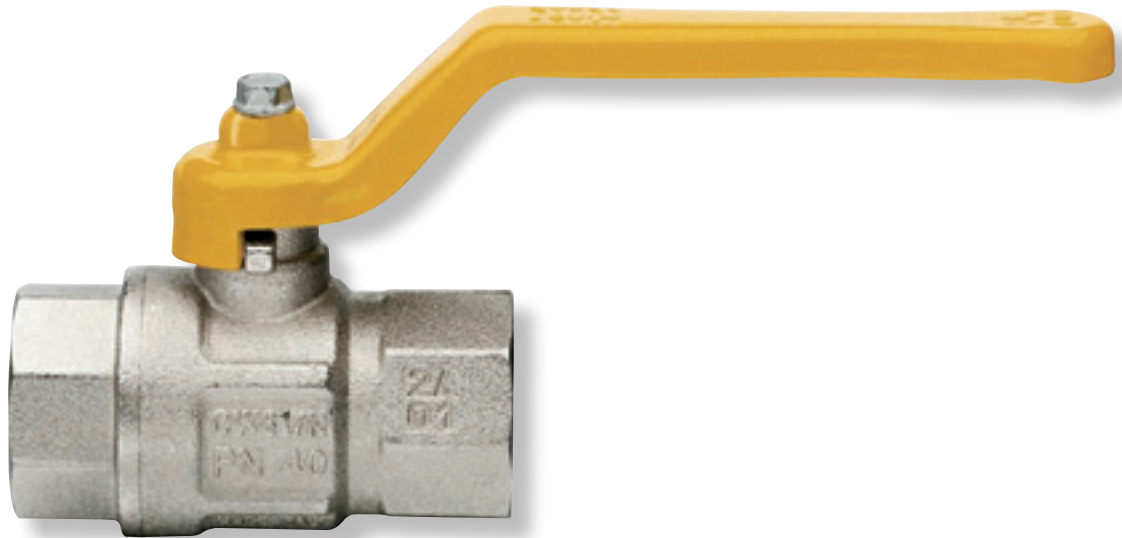


GAS BALL VALVE, FULL FLOW



Code	Packing	Dimension	Pmax
BV008-FF	12/192	1/4" (DN 8)	5bar/72,5psi
BV010-FF	12/192	3/8" (DN 10)	5bar/72,5psi
BV015-FF	10/100	1/2" (DN 15)	5bar/72,5psi
BV020-FF	8/64	3/4" (DN 20)	5bar/72,5psi
BV025-FF	6/48	1" (DN 25)	5bar/72,5psi
BV032-FF	4/32	1"1/4 (DN 32)	5bar/72,5psi
BV040-FF	2/16	1"1/2 (DN 40)	5bar/72,5psi
BV050-FF	2/14	2" (DN 50)	5bar/72,5psi

TECHNICAL FEATURES

Filtering Female threads. Lever handle in steel.

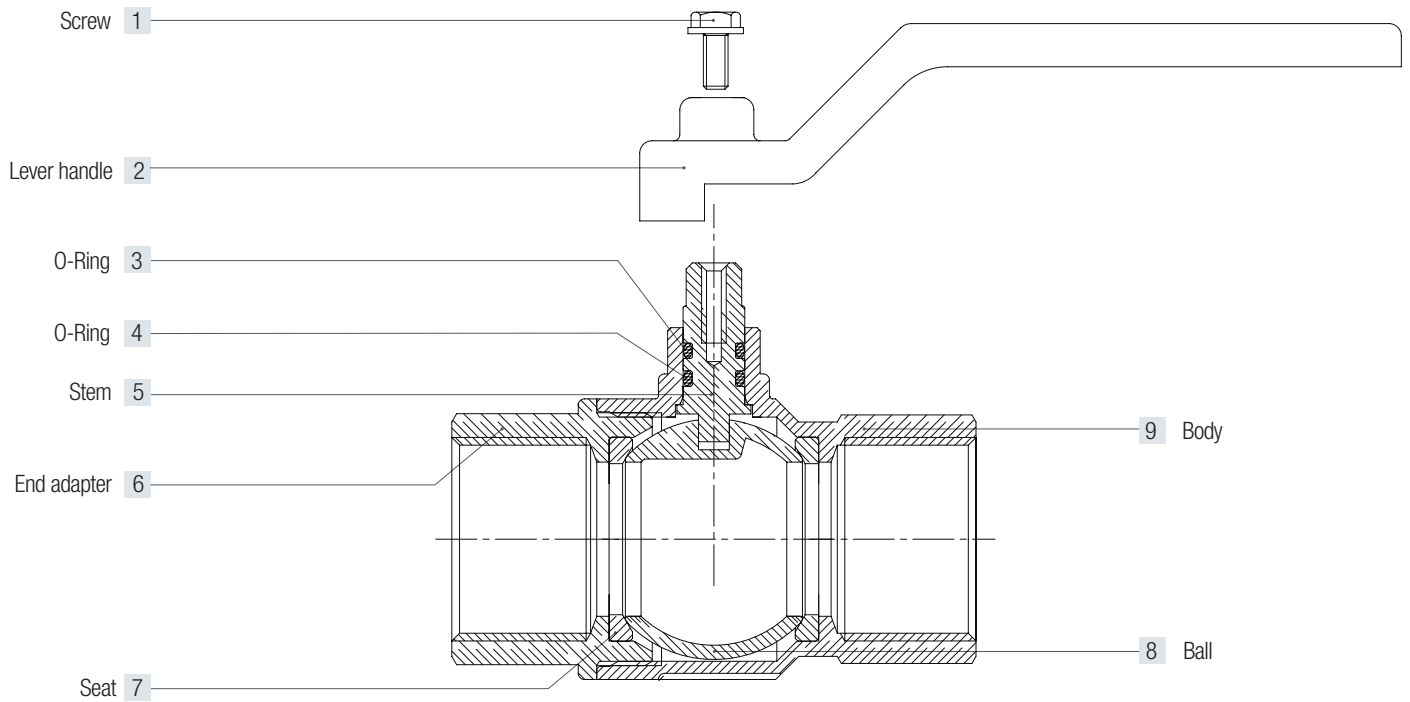
Inlet - Outlet Connection Female thread ISO 7/1 Rp parallel (equivalent to DIN EN 10226-1 and BS EN 10226-1)

Working Temperature - 20° C, + 60° C.

Approval EN 331

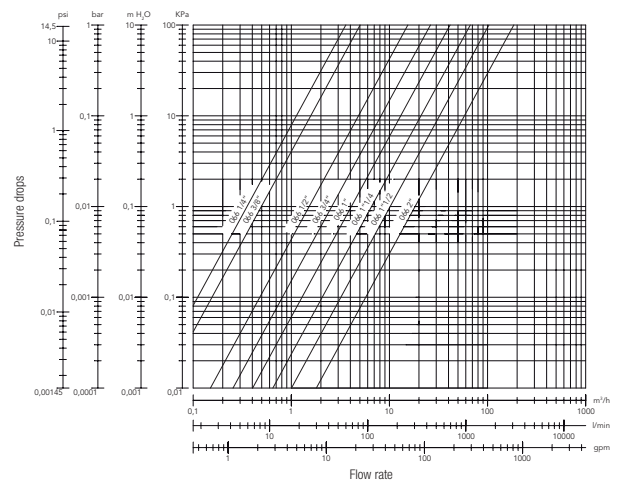
Materials:

Complete Body Body in nickel-plated brass.



POS.	DESCRIPTION	N	MATERIAL
1	Screw	1	Zinc-plated steel Fe CB4
2	Lever handle	1	Zinc-plated and varnished steel Fe.P.04
3	O-Ring	1	VITON®
4	O-Ring	1	NBR
5	Stem	1	Brass CW614N
6	End adapter	1	Nickel-plated brass CW617N
7	Seat	1	P.T.F.E.
8	Ball	1	Chrome-plated brass CW617N
9	Body	1	Nickel-plated brass CW617N

LOSS DIAGRAM – with water



DIMENSIONS (mm) and WEIGHT (kgs)										
Dimension	DN	A	B	C	D	E	F	CH	Kg/cm² bar	LBS-psi
¼"	8	49,5	23,5	37,3	80	10	11	18	5	72,5
¾"	10	52,4	24	37,3	80	10	11,4	21	5	72,5
½"	15	61	30,5	48,8	88,5	15	15	25	5	72,5
¾"	20	68	37	54,8	113	20	16,3	31	5	72,5
1"	25	85	45,5	56,8	113	25	19,1	38	5	72,5
1" ¼	32	99,5	58	75	138	32	21,4	47	5	72,5
1" ½	40	109	71	90,3	157,8	40	21,4	54	5	72,5
2"	50	130	85	97,3	157,8	50	25,7	66	5	72,5

