

**GAS BALL VALVE, FULL FLOW**



Code	Packing	Dimension	Pmax
<b>BV065-FF</b>	1/5	2"1/2 (DN 65)	18bar/261psi
<b>BV080-FF</b>	1/3	3" (DN 80)	16bar/232psi
<b>BV100-FF</b>	1/2	4" (DN 100)	14bar/203psi

**TECHNICAL FEATURES**

**Filtering** Female threads. Lever handle in aluminium.

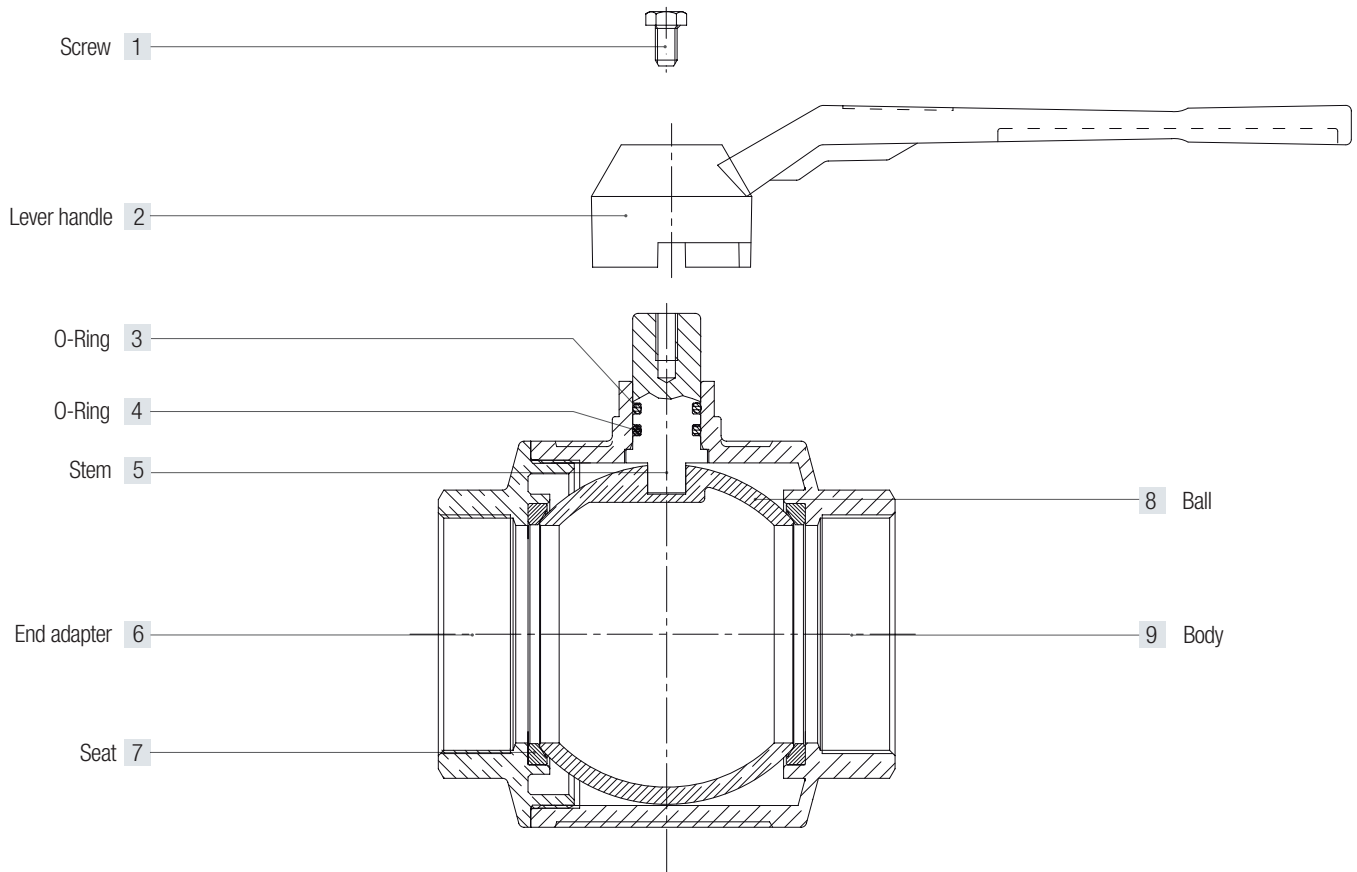
**Inlet - Outlet Connection** Threads ISO 228 (equivalent to DIN EN ISO 228 and BS EN ISO 228)

**Working Temperature** - 20° C, + 60° C.

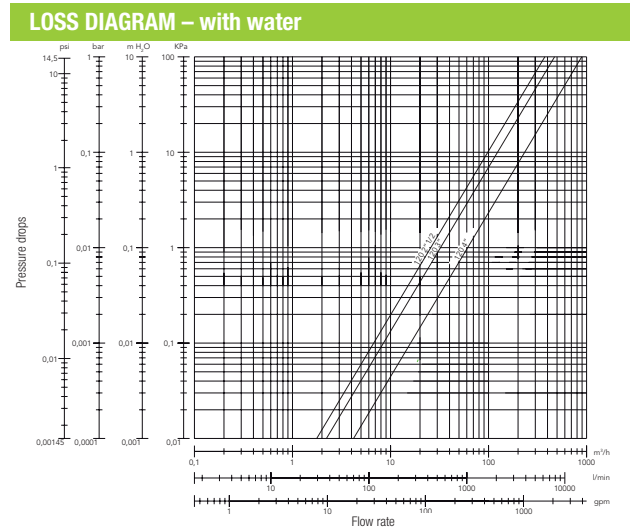
**Approval**

**Materials:**

**Complete Body** Body in nickel-plated brass.



POS.	DESCRIPTION	N	MATERIAL
1	Screw	1	Zinc-plated steel Fe CB4
2	Lever handle	1	Aluminium
3	O-Ring	1	VITON®
4	O-Ring	1	NBR
5	Stem	1	Brass CW614N
6	End adapter	1	Nickel-plated brass CW617N
7	Seat	1	P.T.F.E.
8	Ball	1	Chrome-plated brass CW617N
9	Body	1	Nickel-plated brass CW617N



DIMENSIONS (mm) and WEIGHT (kgs)									
Dimension	DN	A	B	C	D	E	F	Kg/cm² bar	LBS-psi
2" ½"	65	148	122	126,75	250	65	25	18	261
3"	80	168	142	135,75	250	80	27,5	16	232
4"	100	204	180	153,75	250	100	30	14	203

