

GAS BALL VALVE, FULL FLOW



Code	Packing	Dimension	Pmax
BV065-MF	1/5	2"½ (DN 65)	18bar/261psi
BV080-MF	1/3	3" (DN 80)	16bar/232psi
BV100-MF	1/2	4" (DN 100)	14bar/203psi

TECHNICAL FEATURES

Filtering Male/female threads. Lever handle in aluminium.

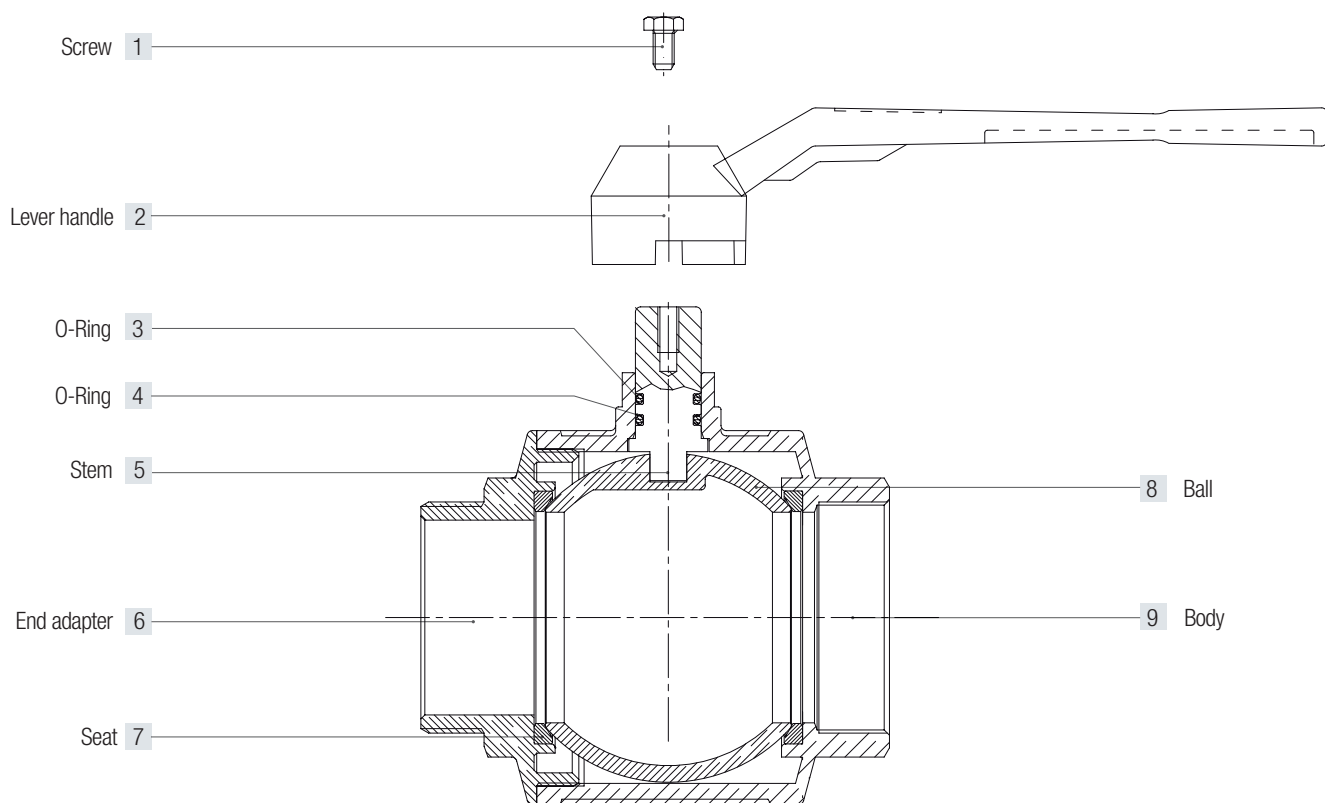
Inlet - Outlet Connection Threads ISO 228 (equivalent to DIN EN ISO 228 and BS EN ISO 228)

Working Temperature - 20° C, + 60° C.

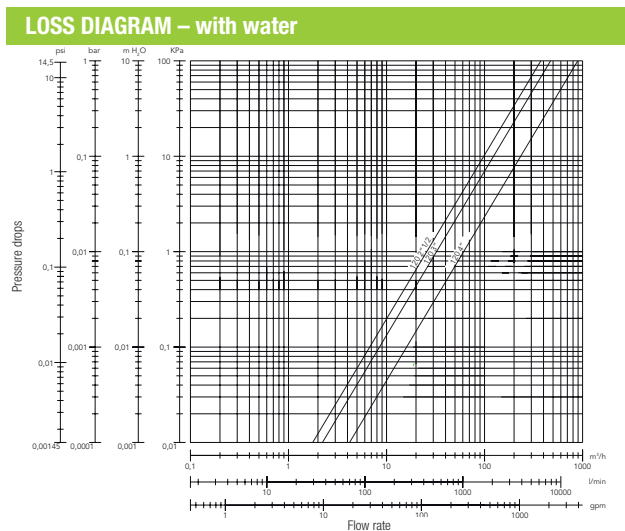
Approval

Materials:

Complete Body Body in nickel-plated brass.



POS.	DESCRIPTION	N	MATERIAL
1	Screw	1	Zinc-plated steel Fe CB4
2	Lever handle	1	Aluminium
3	O-Ring	1	VITON®
4	O-Ring	1	NBR
5	Stem	1	Brass CW614N
6	End adapter	1	Nickel-plated brass CW617N
7	Seat	1	P.T.F.E.
8	Ball	1	Chrome-plated brass CW617N
9	Body	1	Nickel-plated brass CW617N



DIMENSIONS (mm) and WEIGHT (kgs)											
Dimension	DN	A	B	C	D	E	F	G	Kg/cm² bar	LBS-psi	
2" ½"	65	155,5	122	126,75	250	63	25	21	18	261	
3"	80	178	142	135,75	250	74	27,5	24	16	232	
4"	100	208	180	153,75	250	97	30	23	14	203	

