

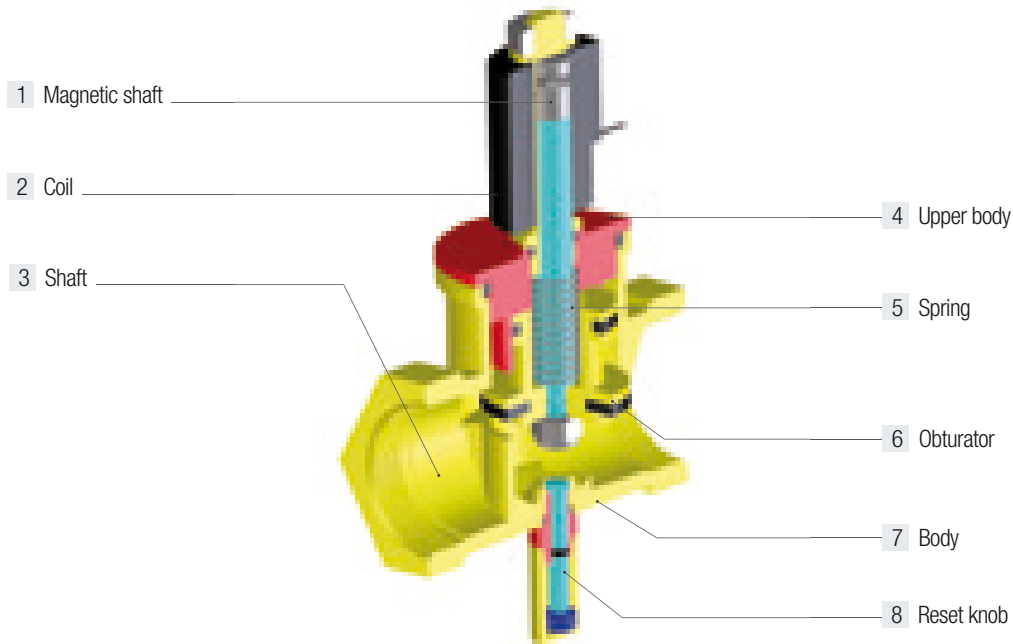
**GAS SOLENOID VALVE - Manual reset - Normally close - 550 mbar -
1/2" - 3/4" - 1" - 1 1/4" - 1 1/2" - 2"**



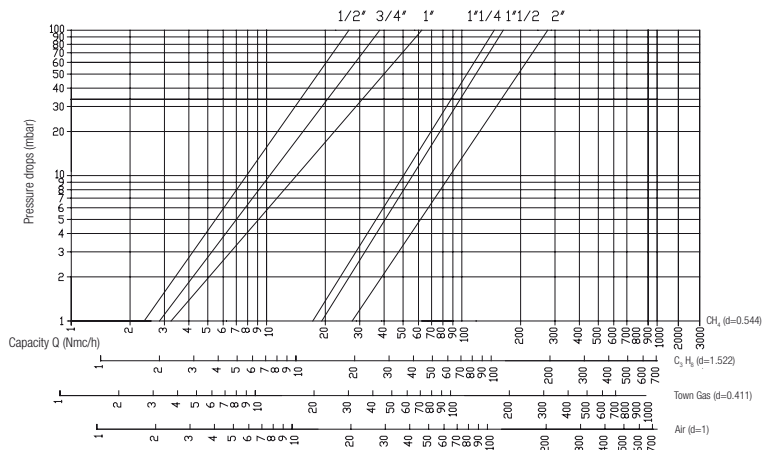
Code	Description	Dimension	Type	Pmax
VR600	Manual solenoid valve	1/2"	NC	550 mbar
VR610	Manual solenoid valve	3/4"	NC	550 mbar
VR620	Manual solenoid valve	1"	NC	550 mbar
VR630	Manual solenoid valve	1 1/4"	NC	550 mbar
VR640	Manual solenoid valve	1 1/2"	NC	550 mbar
VR650	Manual solenoid valve	2"	NC	550 mbar

TECHNICAL FEATURES

Power supply	230 Vca – 24 Vcc/Vca – 12 Vcc/Vca
Body	Brass ST-CW617N – EN 12420 – Yellow Painted
Working temperature	-15°C / +70°C
Closing time	< 1 sec
Max. pressure	550 mbar
Protection level	IP65
Connections	Thread 1/2", 3/4", 1", 1" 1/4, 1" 1/2", 2" - ISO 228/1 thread



FLOW CHART



Dimension	Flow (mc/H)	Power	A (mm)	B (mm)	Approvals	Power supply
1/2"	4,5	6 W	86	165	Dir.97/23/CE-EN161	12Vcc
1/2"	4,5	9 VA	86	165	Dir.97/23/CE-EN161	230Vac
3/4"	6	6 W	86	165	Dir.97/23/CE-EN161	12Vcc
3/4"	6	9 VA	86	165	Dir.97/23/CE-EN161	230Vac
1"	13	6 W	93	175	Dir.97/23/CE-EN161	12Vcc
1"	13	9 VA	93	175	Dir.97/23/CE-EN161	230Vac
1 1/4"	40	6 W	114	200	Dir.97/23/CE-EN161	12Vcc
1 1/4"	40	9 VA	114	200	Dir.97/23/CE-EN161	230Vac
1 1/2"	50	6 W	114	200	Dir.97/23/CE-EN161	12Vcc
1 1/2"	50	9 VA	114	200	Dir.97/23/CE-EN161	230Vac
2"	80	6 W	138	210	Dir.97/23/CE-EN161	12Vcc
2"	80	9 VA	138	210	Dir.97/23/CE-EN161	230Vac

