

**GAS SOLENOID VALVE - Manual reset - Normally close - 550 mbar - DN65 - DN80 - DN100**



Code	Description	Dimension	Type	Pmax
VR660	Manual solenoid valve	DN65	NC	550 mbar
VR670	Manual solenoid valve	DN80	NC	550 mbar
VR680	Manual solenoid valve	DN100	NC	550 mbar
VR750	Manual solenoid valve	DN125	NC	550 mbar
VR751	Manual solenoid valve	DN150	NC	550 mbar

**TECHNICAL FEATURES**

**Power supply** 230 Vca – 24 Vcc/Vca – 12 Vcc/Vca

**Body** Die - Cast Aluminium Gd - AISI12Cu - EN AB 46100

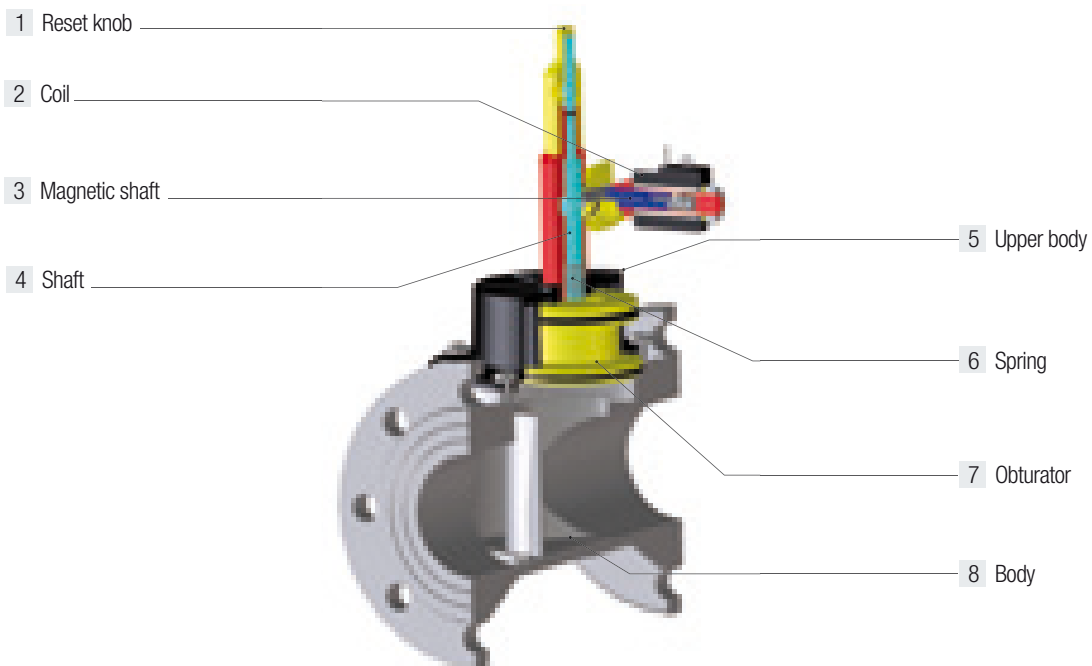
**Working temperature** -15°C / +70°C

**Closing time** < 1 sec

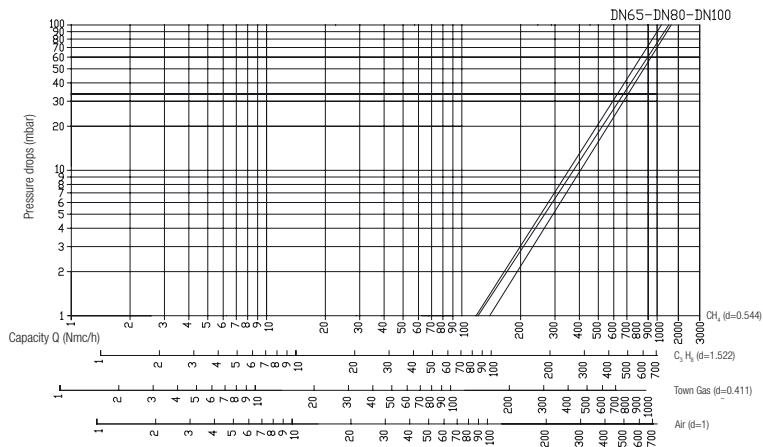
**Max. pressure** 550 mbar

**Protection level** IP65

**Connections** Flanged DN65 - DN80 - DN100



**FLOW CHART**



Dimension	Flow (mc/H)	Power	A (mm)	B (mm)	Approvals	Power supply
DN65 2" ½	170	6 W	246	395	Dir.97/23/CE-EN161	12Vcc
DN65 2" ½	170	9 VA	246	395	Dir.97/23/CE-EN161	230Vac
DN80 3"	170	6 W	265	395	Dir.97/23/CE-EN161	12Vcc
DN80 3"	170	9 VA	265	395	Dir.97/23/CE-EN161	230Vac
DN100 4"	280	6 W	265	420	Dir.97/23/CE-EN161	12Vcc
DN100 4"	280	9 VA	265	420	Dir.97/23/CE-EN161	230Vac
DN125 5"	280	23W	445	500	Dir.97/23/CE-EN161	12Vcc
DN125 5"	280	23W	445	500	Dir.97/23/CE-EN161	230Vac
DN150 6"	280	23W	445	500	Dir.97/23/CE-EN161	12Vcc
DN150 6"	280	23W	445	500	Dir.97/23/CE-EN161	230Vac

